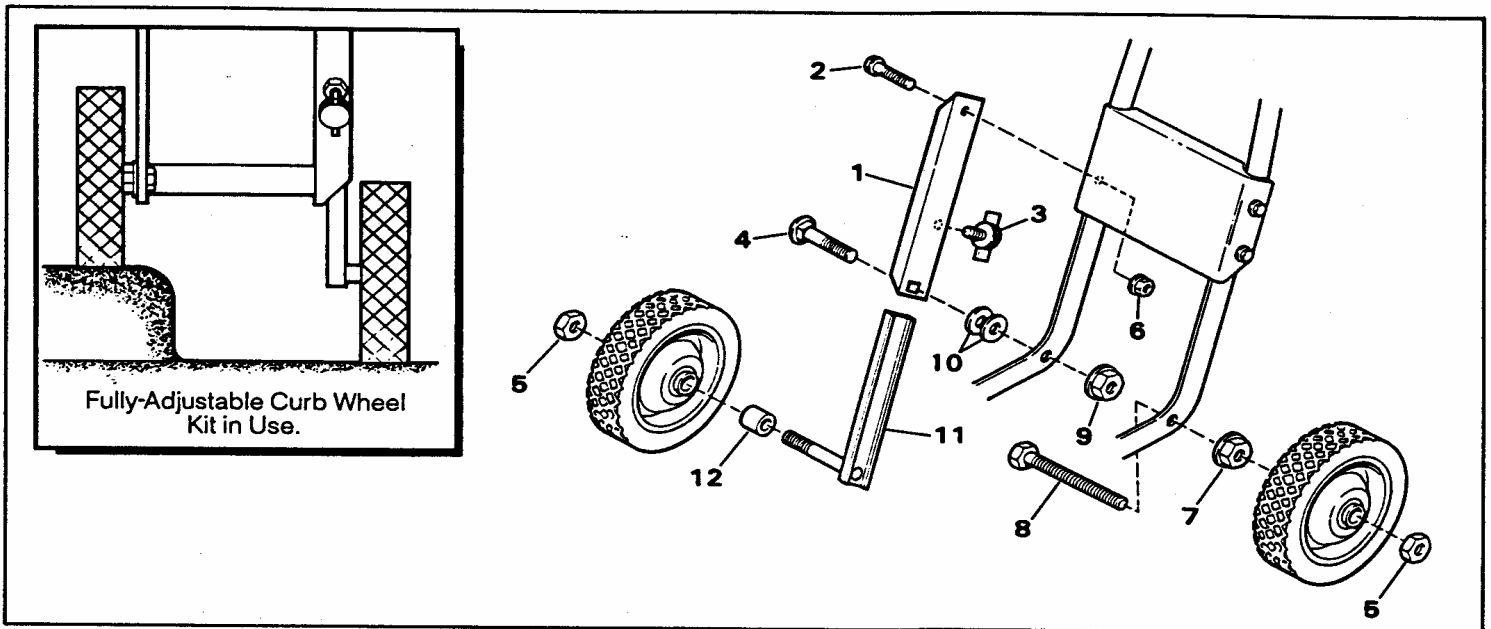




Curb Wheel Kit Installation Guide

The optional Curb Wheel Kit makes edging along streets or other boundary curbs a breeze. Easy to assemble, fully adjustable and maintenance free—a MUST for easier and safer curb edging.



1. Remove edger rear axle and 1/4-20 screw (2) from lower right handle joint cover.
2. Attach curb wheel main tube (1) to edger handle (lower right joint cover hole) re-using screw removed in step 1. Loosely attach nut (6) to screw (2).
Insert carriage screw (4) through lower hole in curb wheel main tube (1). Add two washers (10) to screw. Push carriage screw (4) through the old axle hole and secure with nut (9).
Tighten top mounting nut (6).
3. Insert left wheel screw (8) through axle hole and secure with nut (7). Place wheel on screw and secure with nut (5).
4. Place axle spacer (12) on axle shaft of the curb wheel adjustment slide (11). Install wheel and secure with nut (5).
5. Insert curb wheel adjustment slide (11) into bottom of curb wheel main tube (1) with wheel facing outward.

Insert thumbscrew (3) into main tube and tighten, after desired height of adjustable wheel is established.

| Item | Part Number | Description | Qty. |
|------|-------------|---------------------------------|------|
| - | 17 802 | Curb Wheel Kit | 1 |
| 1 | 17 825 | Curb Wheel Main Tube | 1 |
| 2 | 18 089 | Screw 1/4-20 x 7/8 Flange HD | 1 |
| 3 | 18 765 | Thumbscrew 3/8-16 x 1-1/2 Assy. | 1 |
| 4 | 17 864 | Screw 3/8-16 x 1 Carriage | 1 |
| 5 | 11 329 | Nut 1/2-13 Side Lock | 2 |
| 6 | 12 172 | Nut 1/4-20 Flanged | 1 |
| 7 | 17 833 | Nut 1/2-13 Flanged | 1 |
| 8 | 17 832 | Screw 1/2-13 x 2-3/4 HHCS Tap | 1 |
| 9 | 12 178 | Nut 3/8-16 Flanged | 1 |
| 10 | 17 957 | Washer 1/2 SAE | 2 |
| 11 | 17 828 | Curb Wheel Adjustment Slide | 1 |
| 12 | 18 229 | Spacer Axle Edger 5/8 | 1 |



2359 Trailmate Drive • Sarasota, FL 34243
(813) 755-5511 • FAX (813) 758-5141